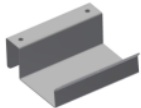
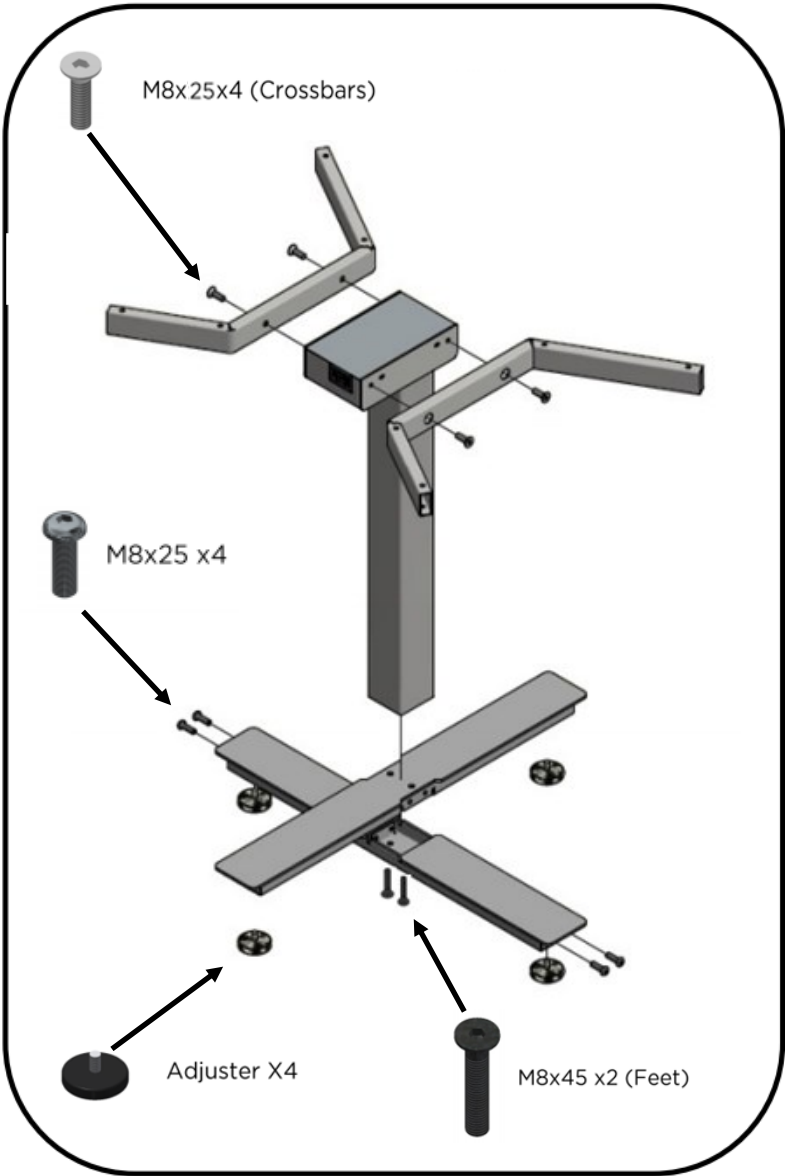


# Assembly Instructions – Single column Cross-Foot



Power supply holder.  
Hook the holder on the crossbar before fixing the Table Top



5,0x55 x8  
Screws to fix the Table top

