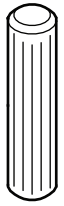


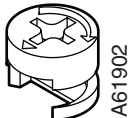
A61780

12x



A62079

12x



A61902

12x



A60711

4x



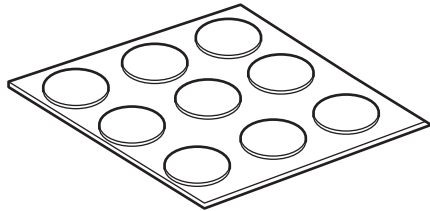
A62704

4x

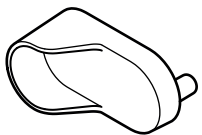


A62078

4x

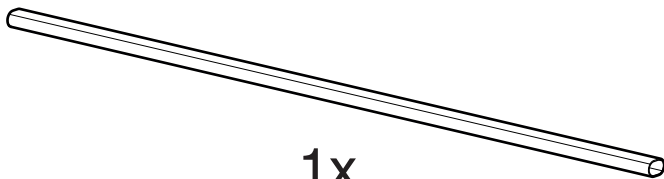


2x

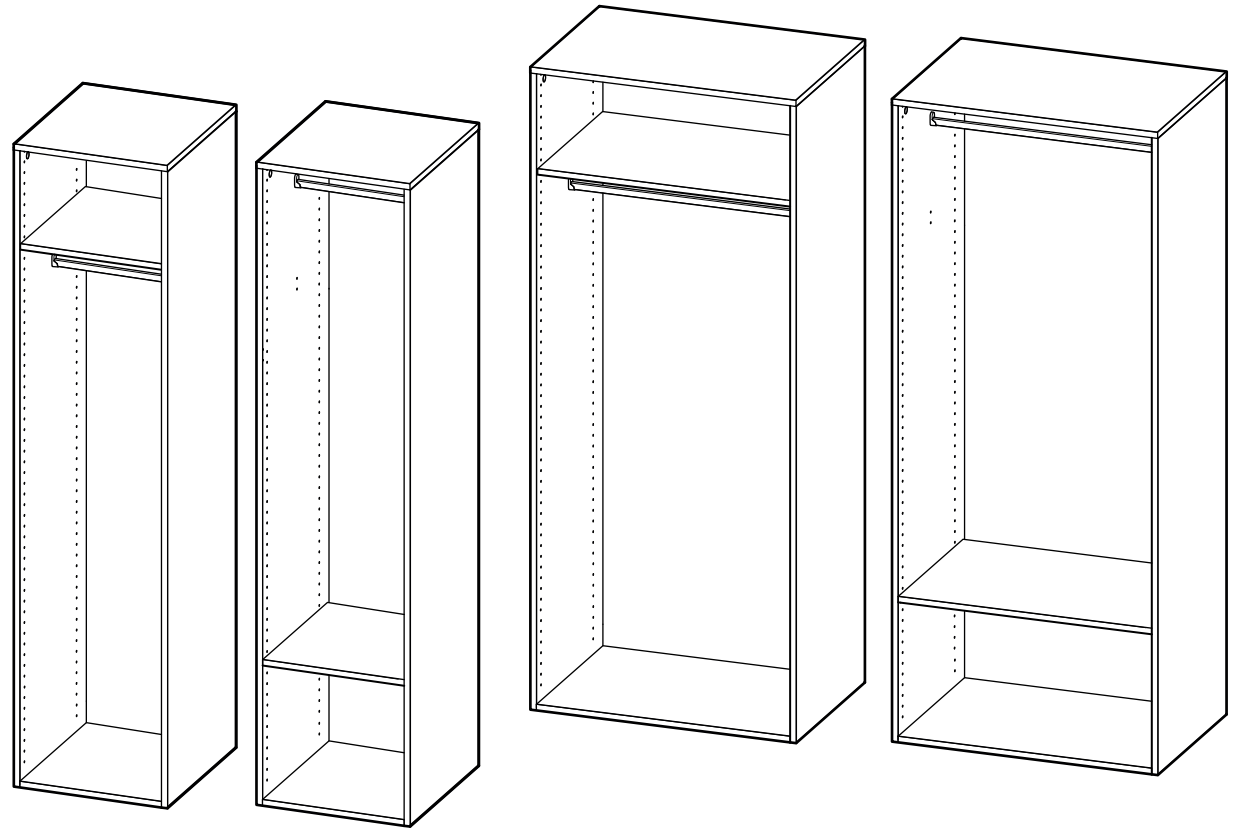


A62085

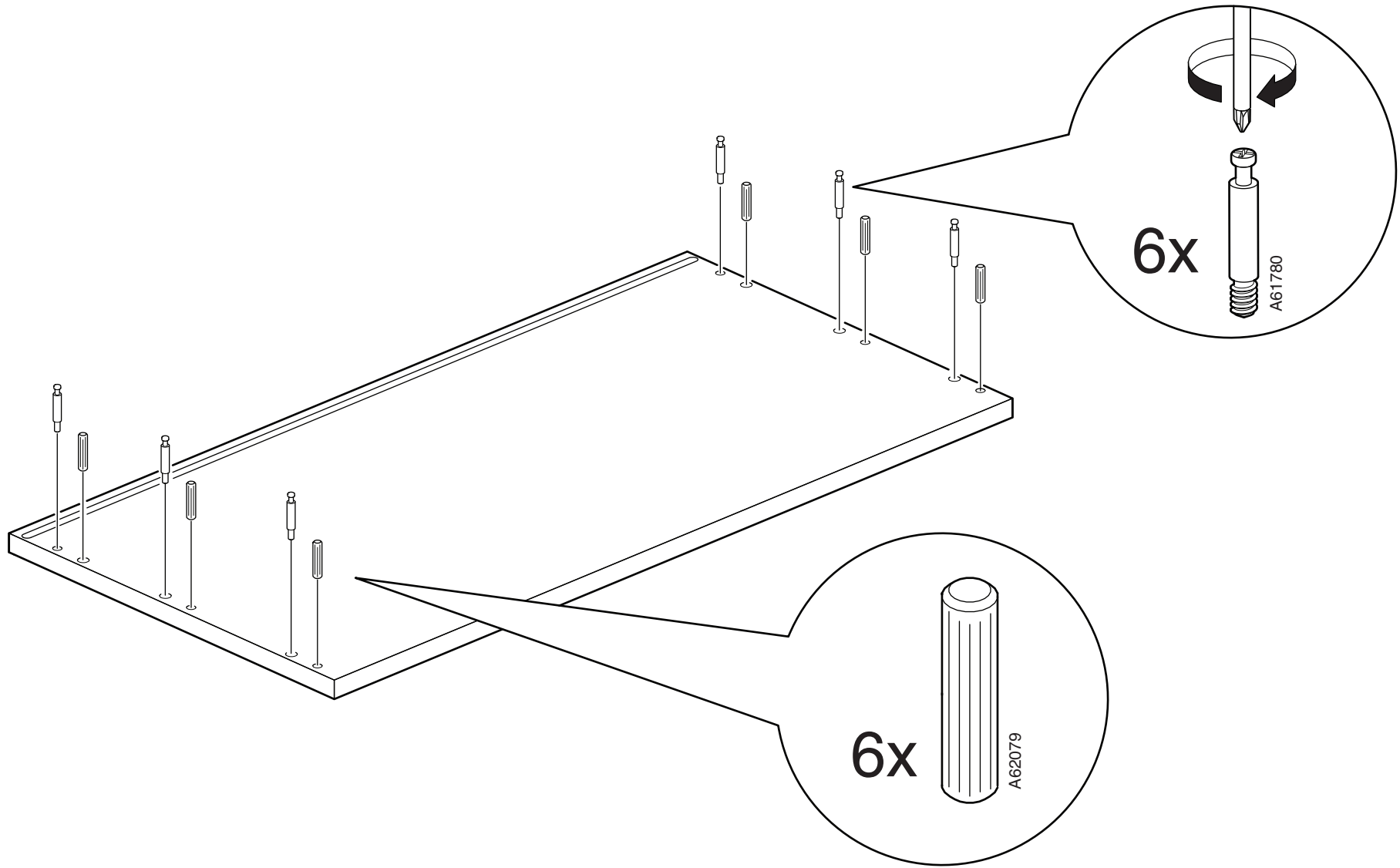
2x



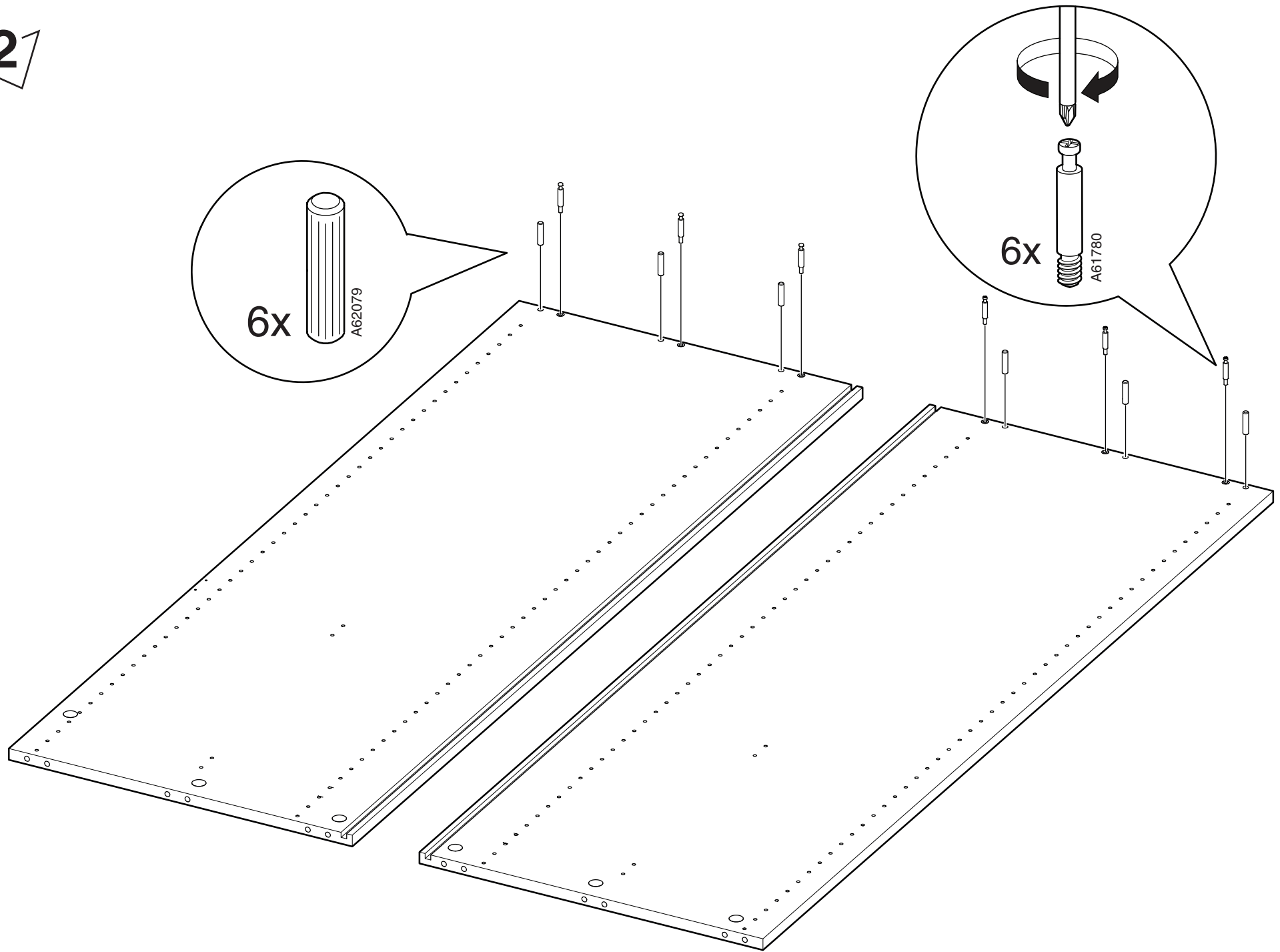
1x



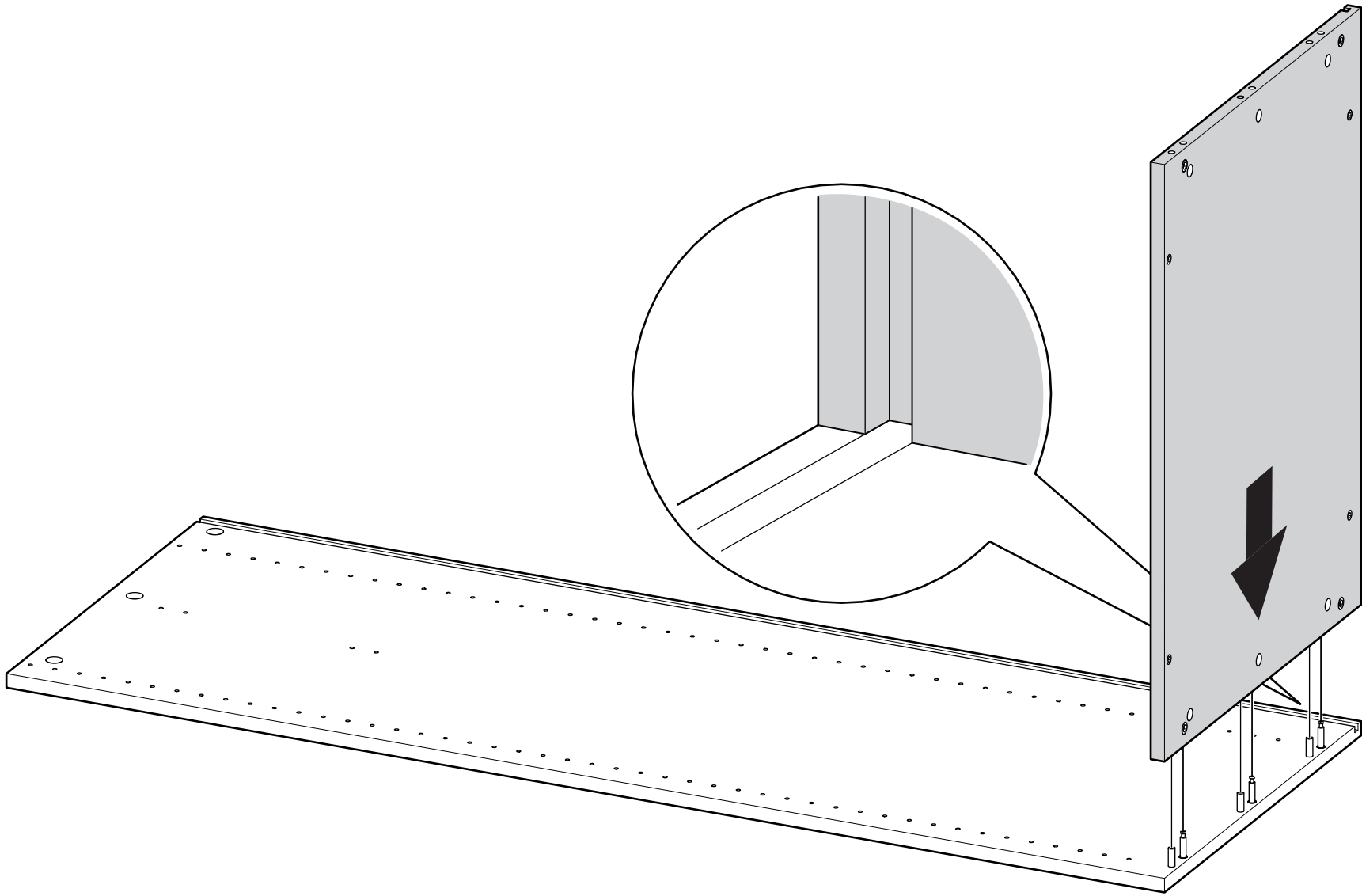
**1**



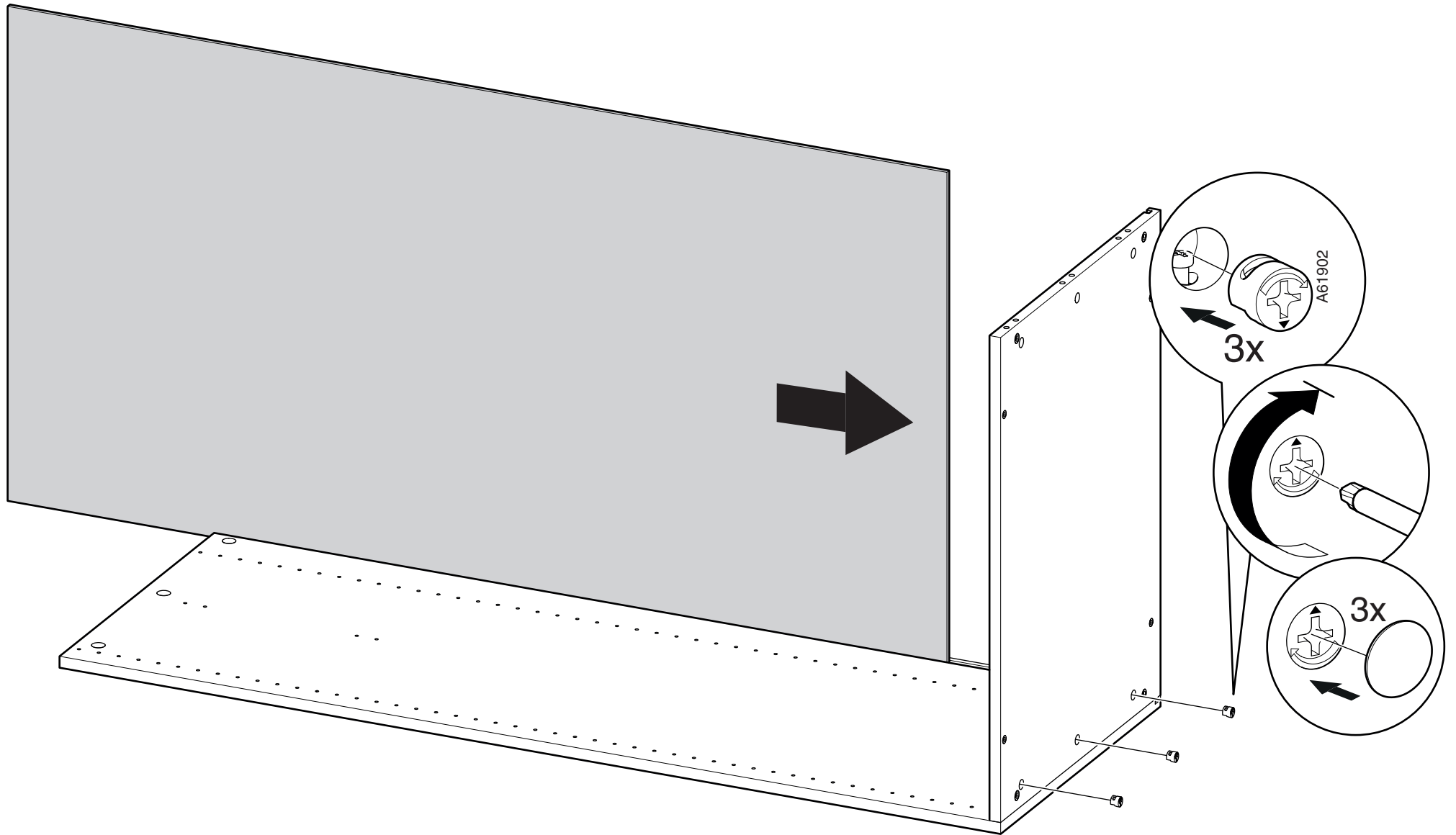
2



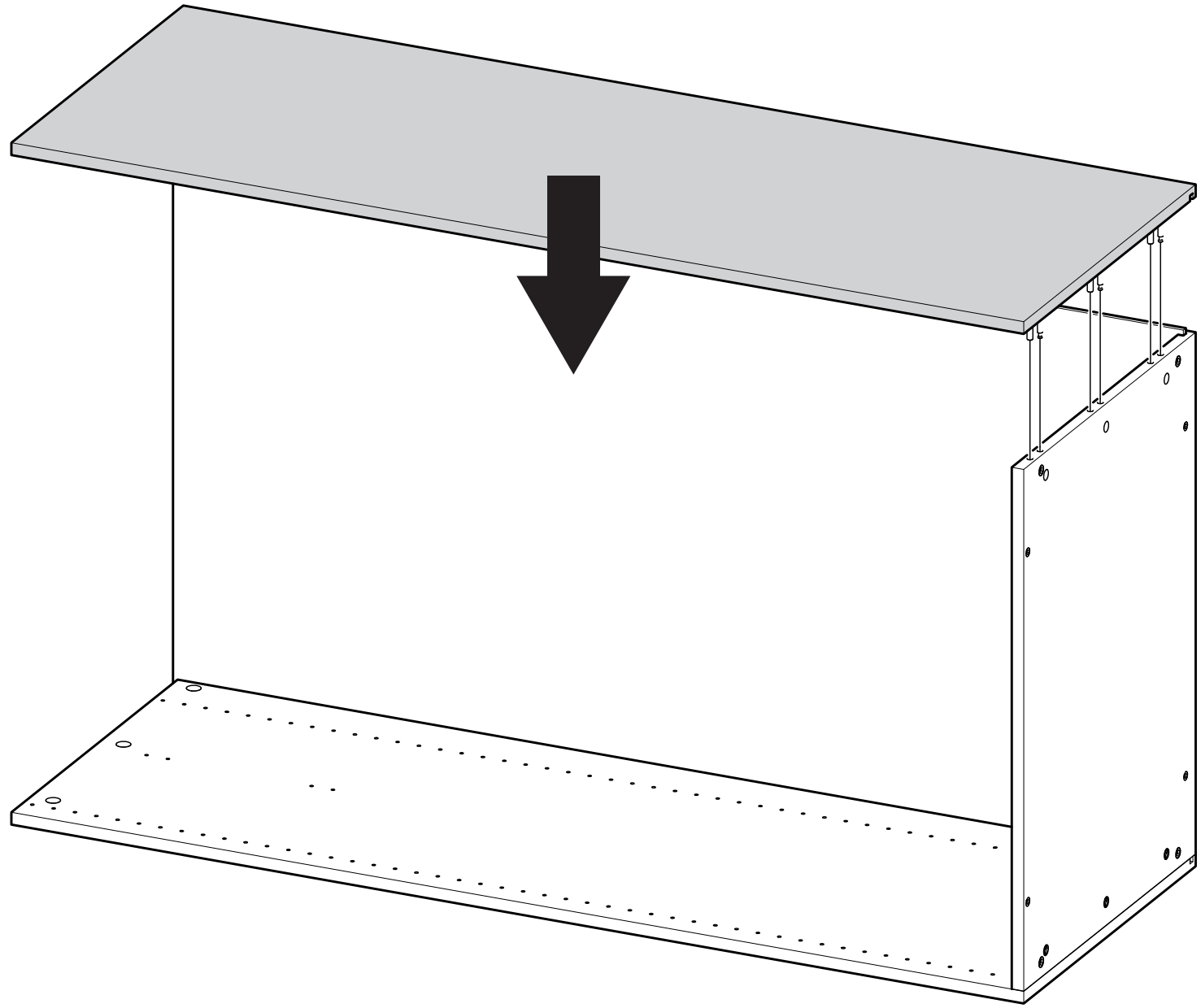
3



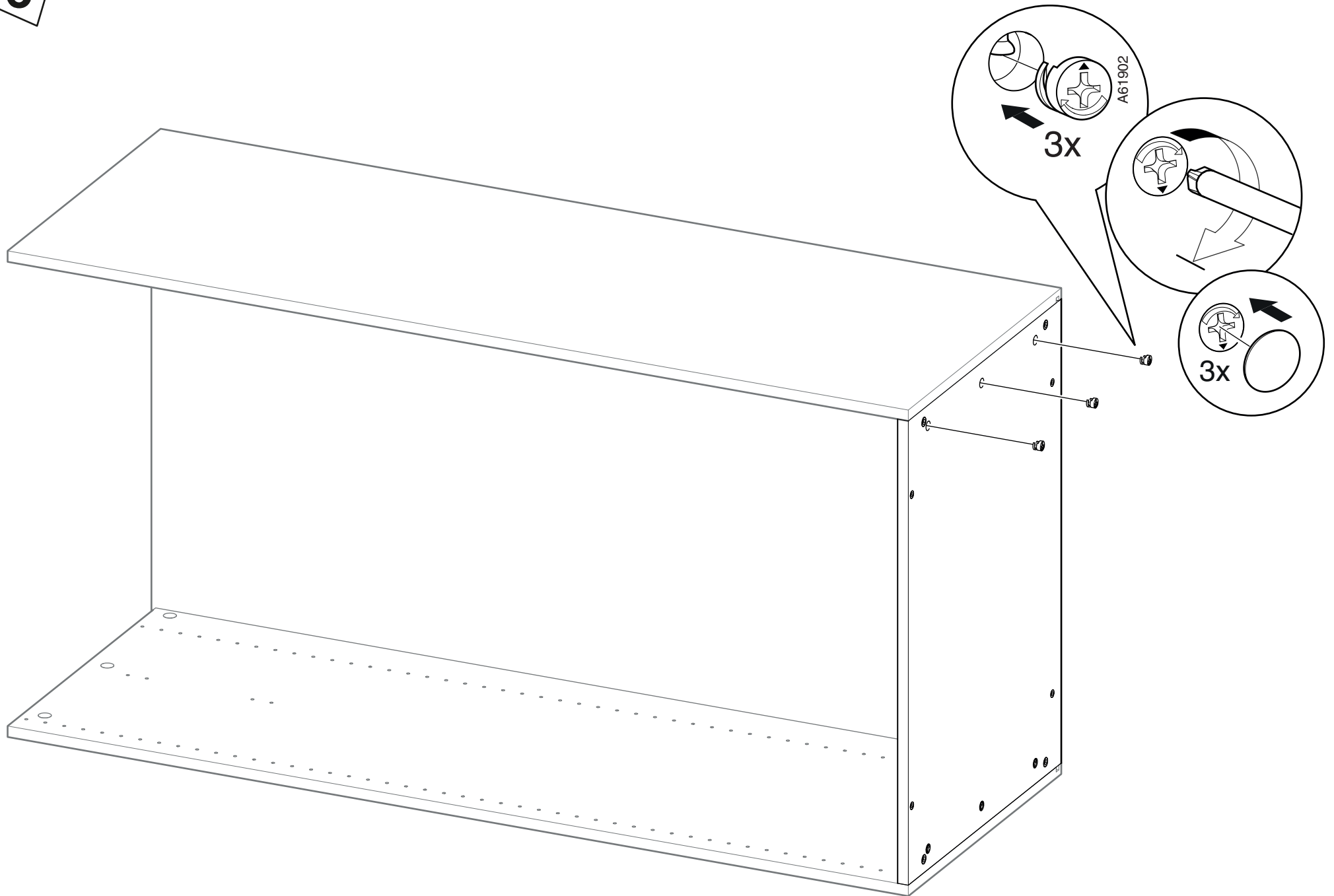
4



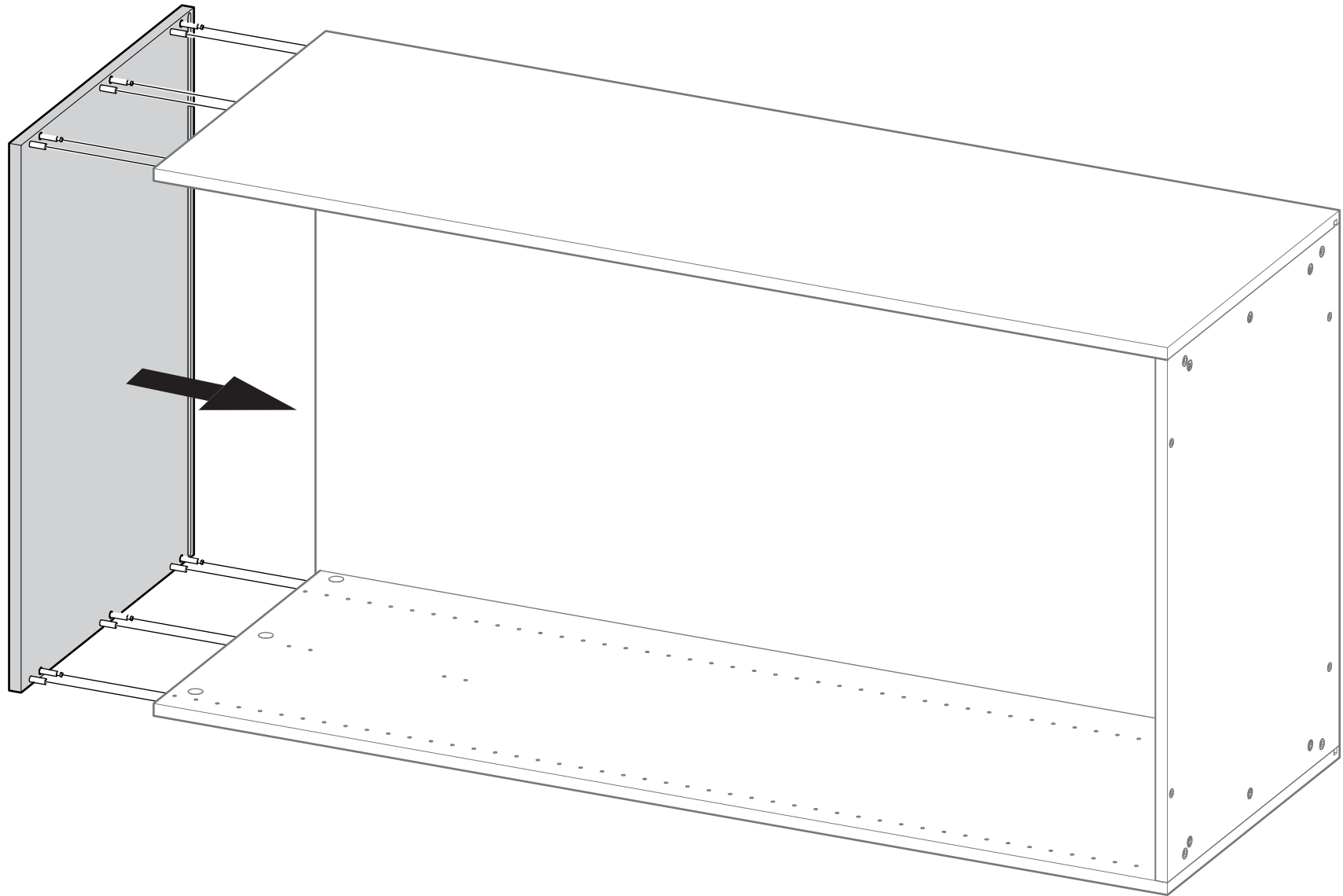
5



6

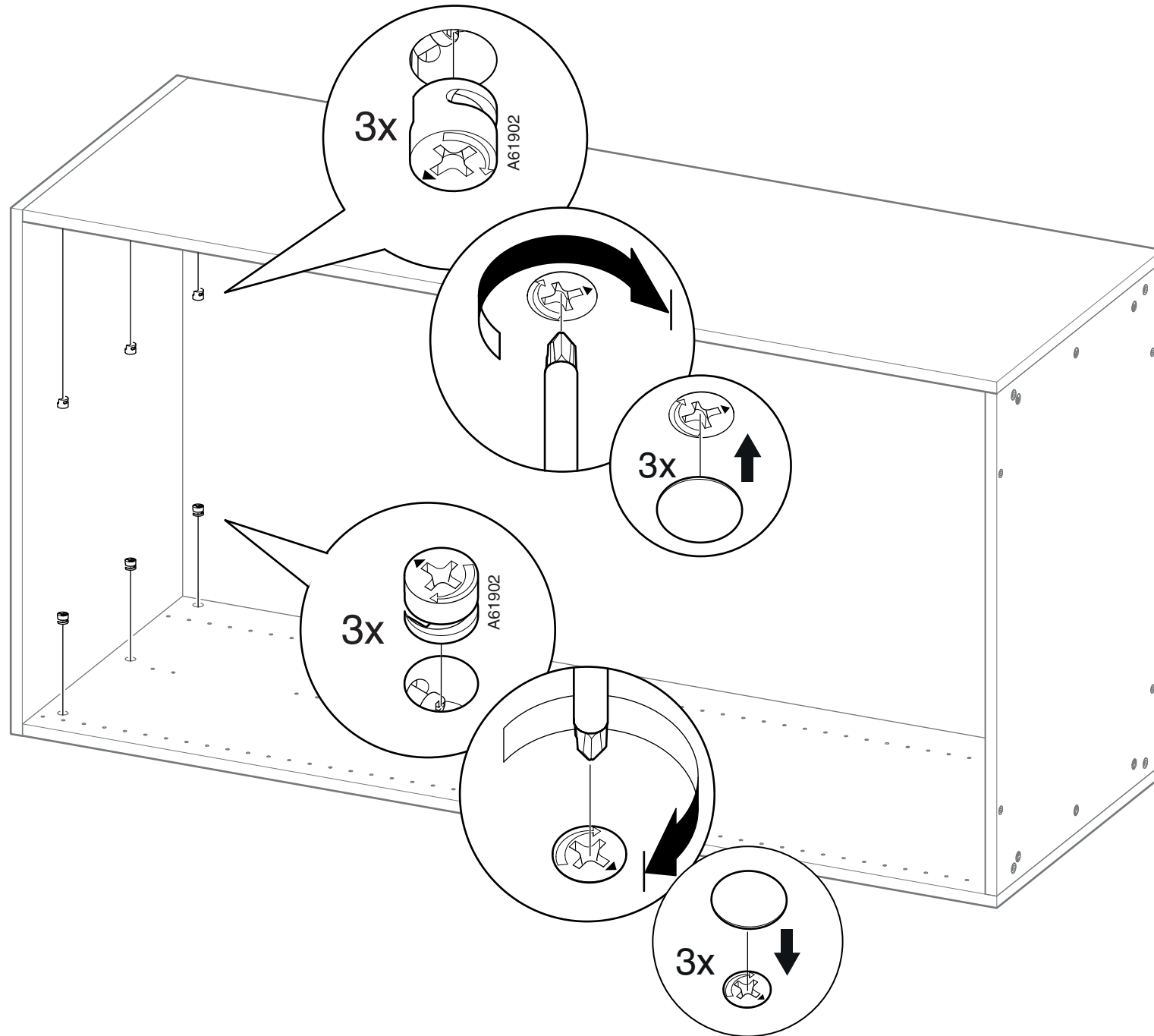


7

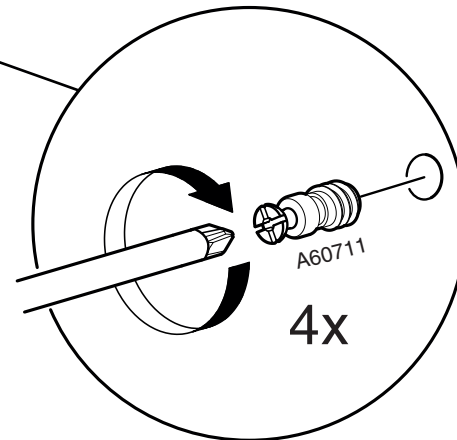
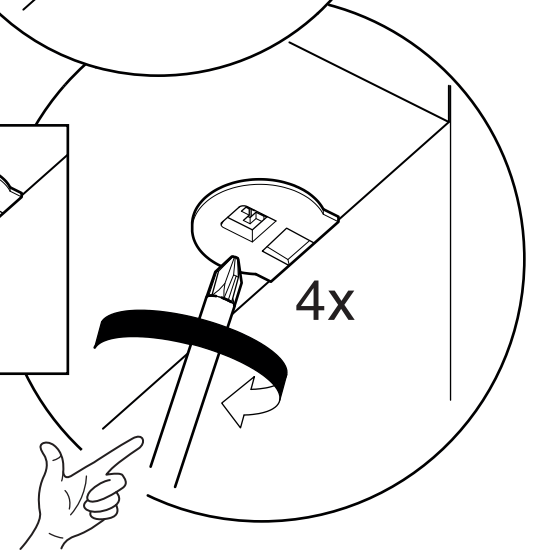
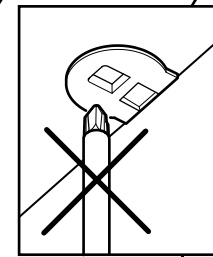
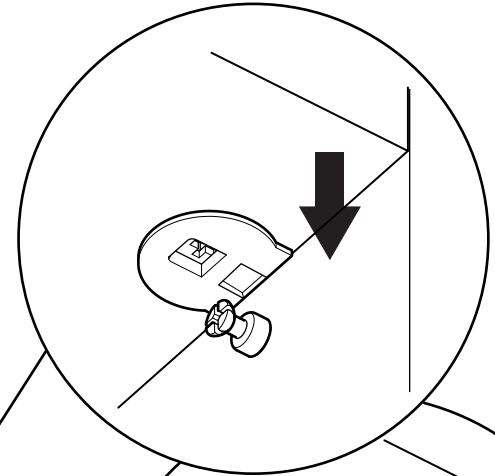
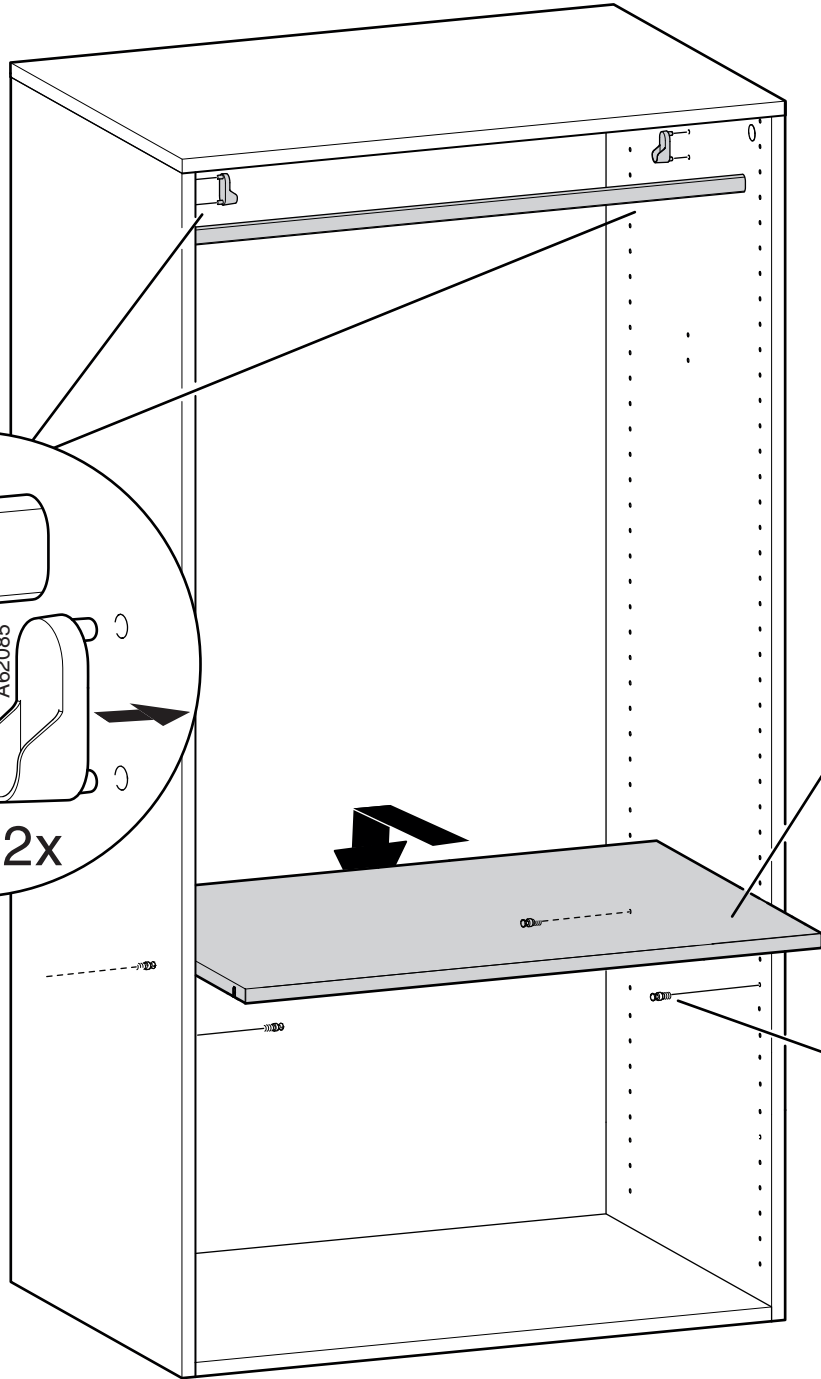
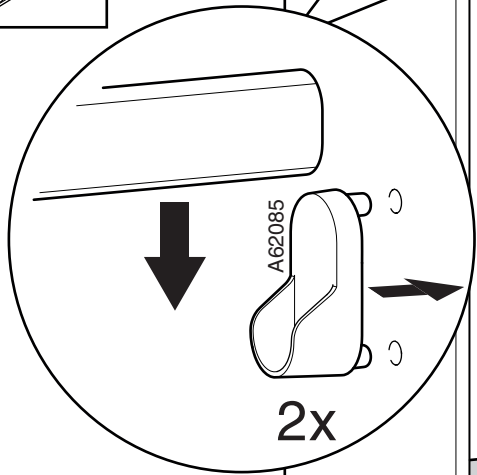
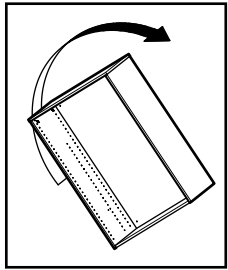




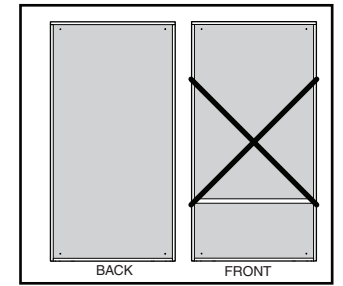
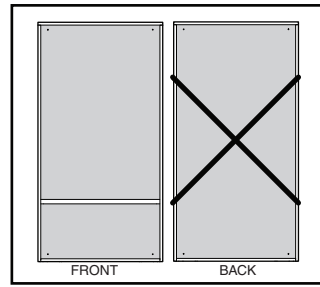
8



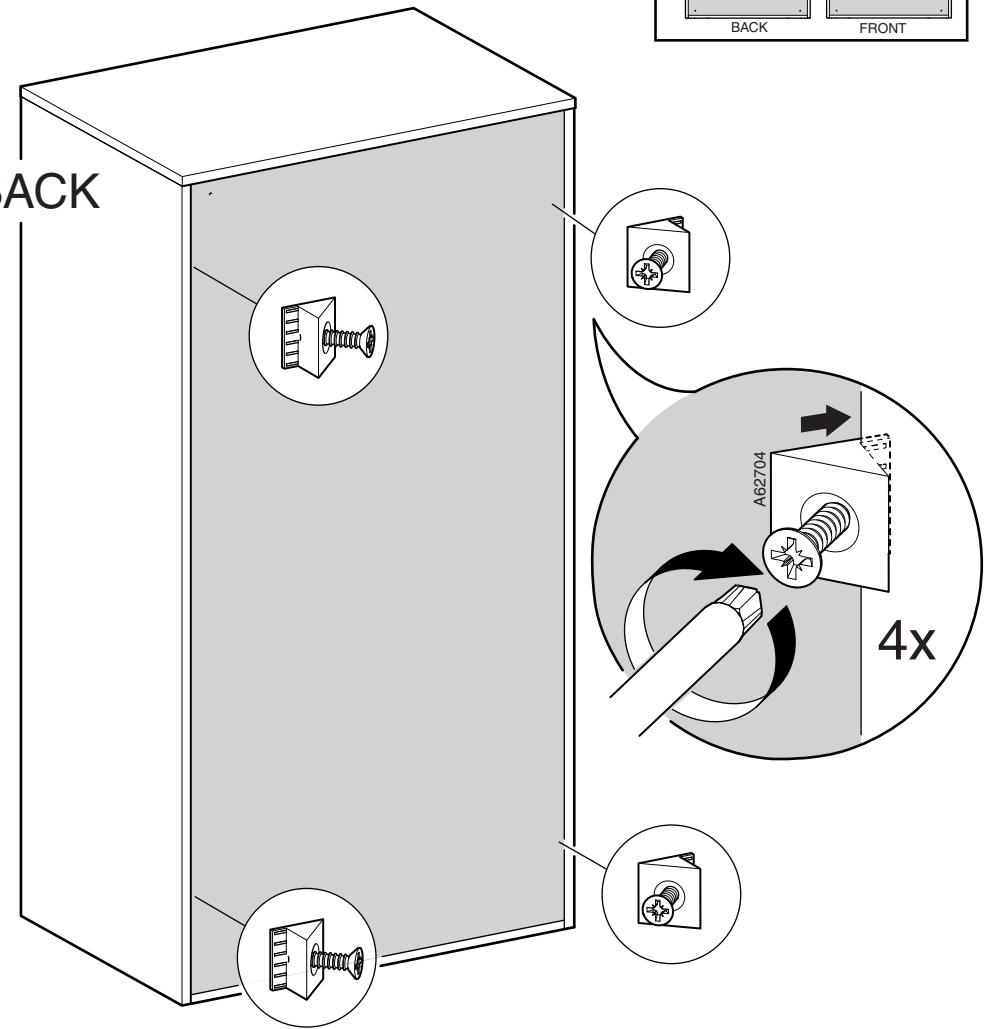
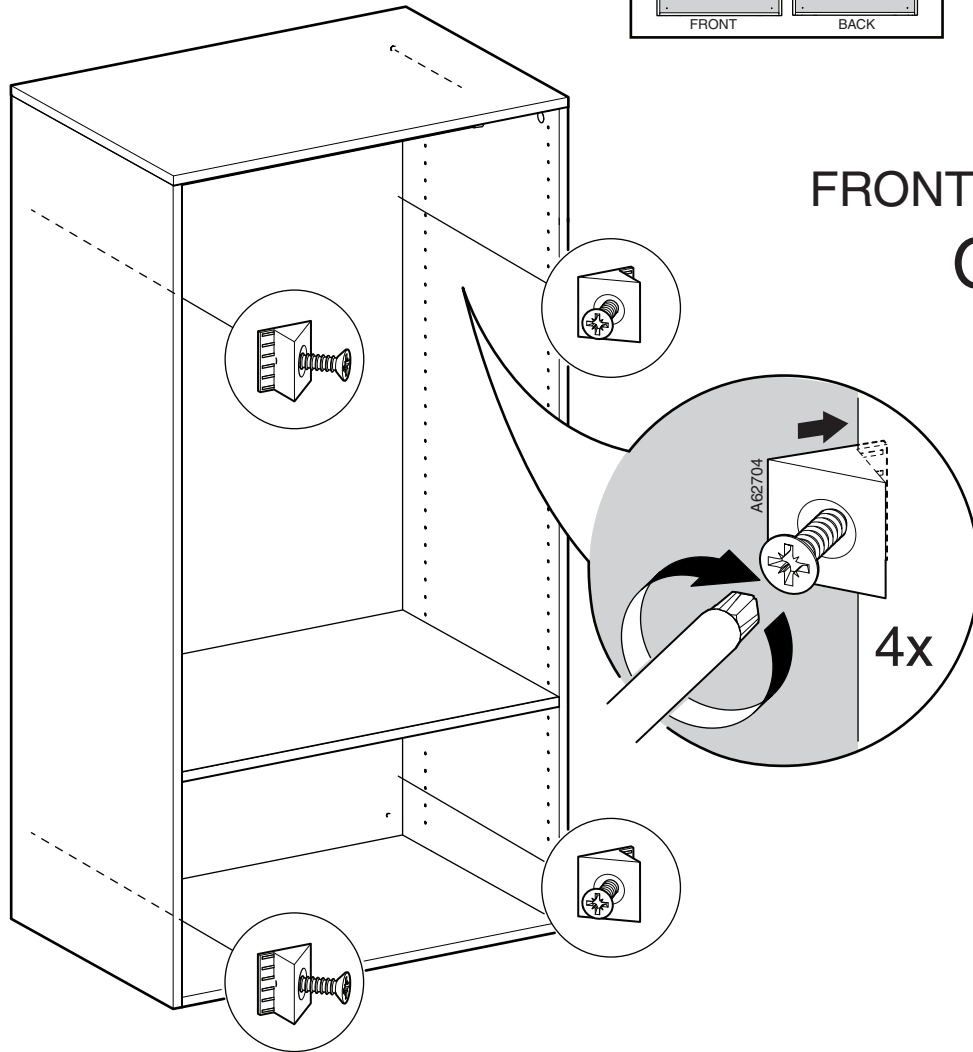
9



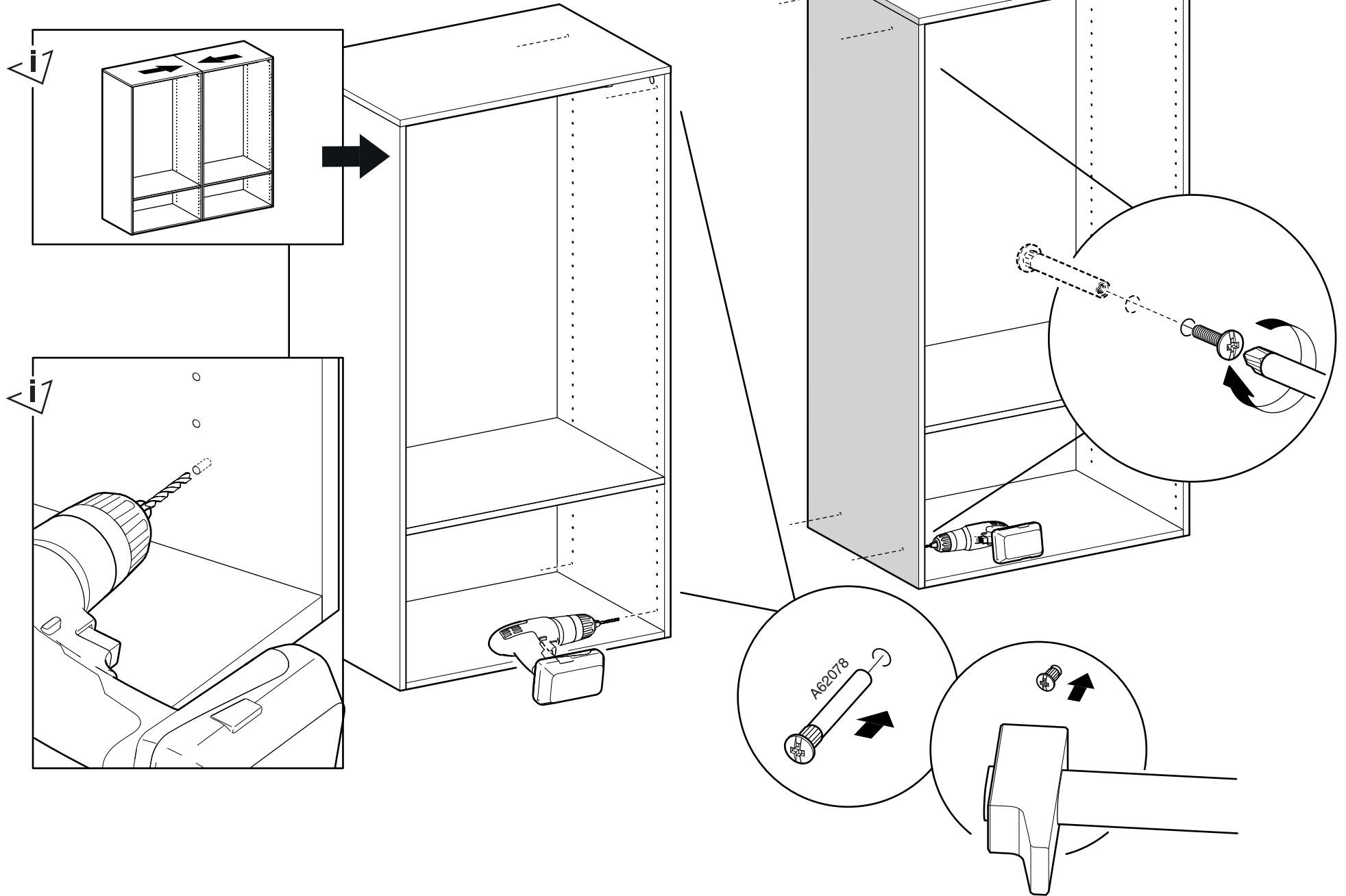
10



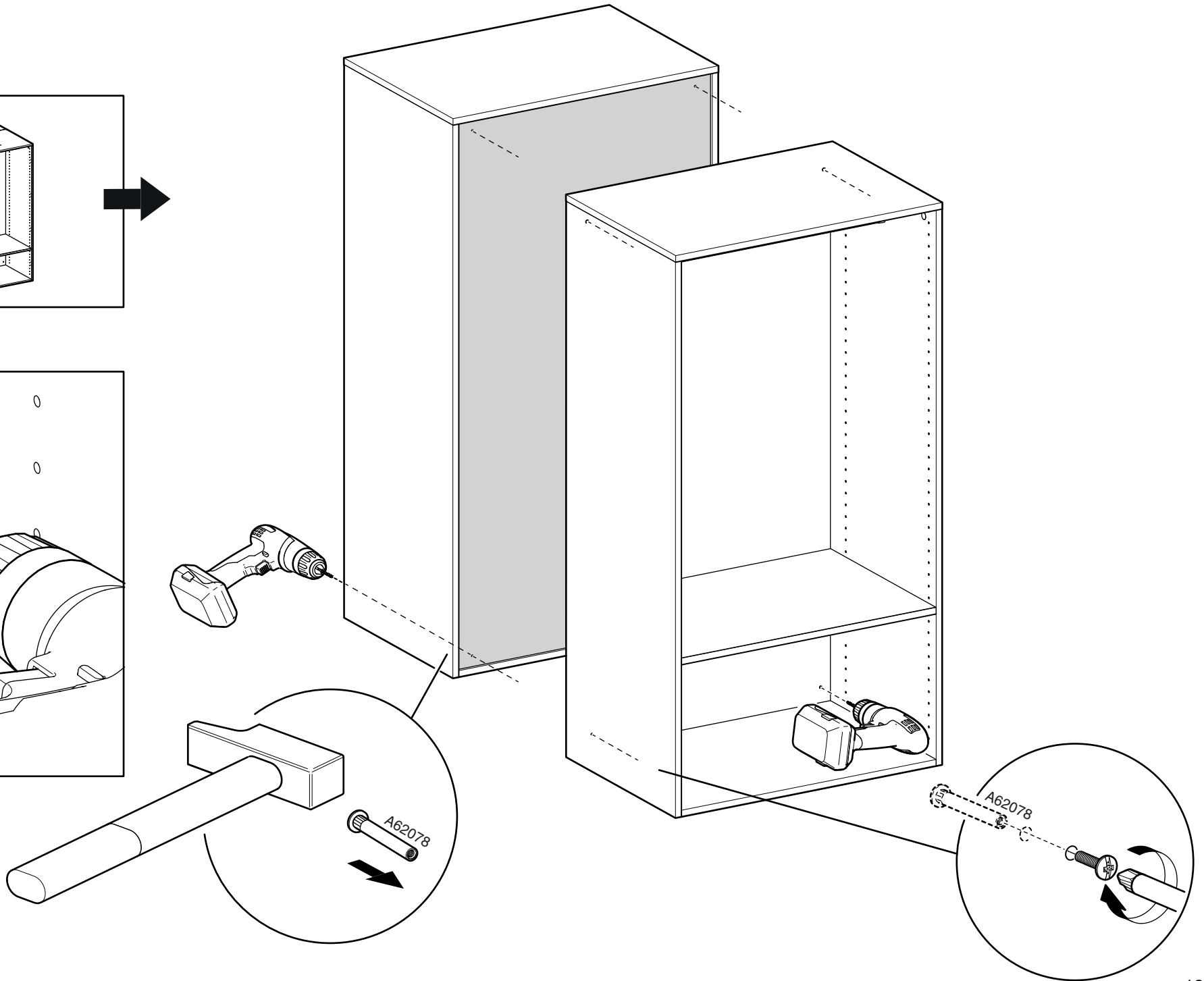
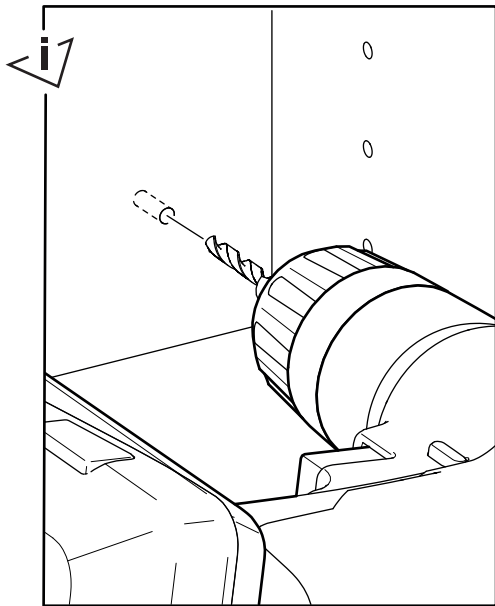
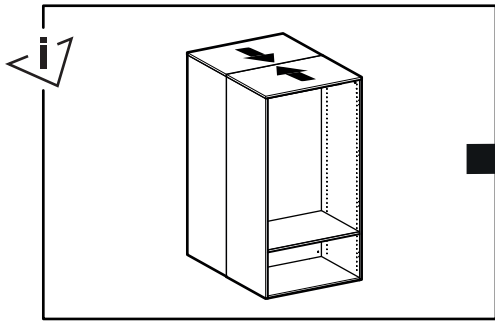
FRONT | BACK  
OR



11



12



13

